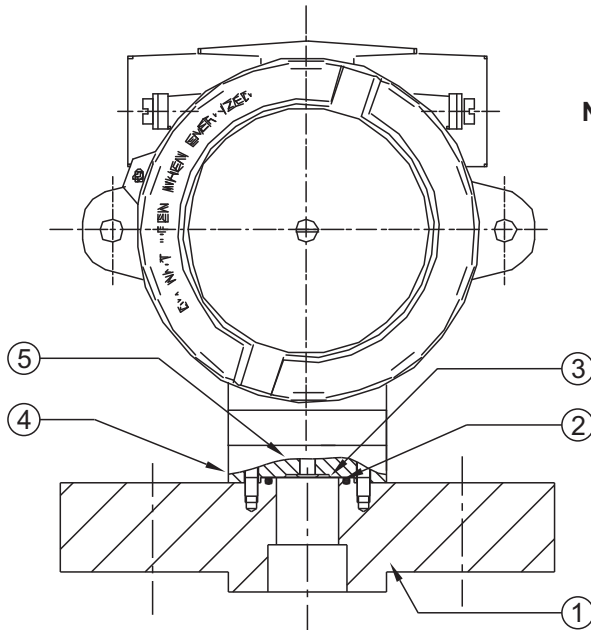




FE



PRESSURE CAPSULE DETAILS

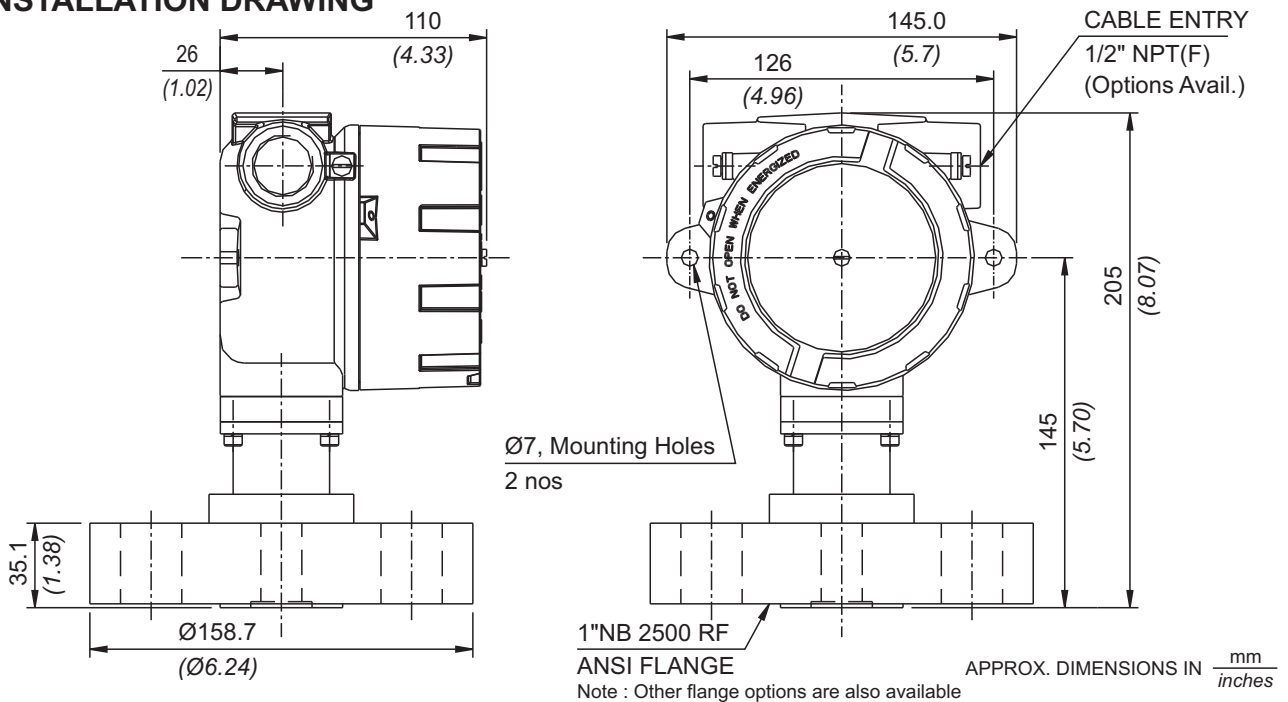


No. Description

1. ANSI FLANGE to your specifications
please refer table for possible combinations
2. Sealing Ring
3. Diaphragm
4. Disc
5. Plunger

Note : wetted parts are mentioned in italics.

INSTALLATION DRAWING



FE FLANGED PRESSURE SWITCHES

RANGE SELECTION TABLE

Range Code	Range bar (psi)	Differential* bar (psi)	Maximum Working Pressure bar (psi)
		Approximate Maximum for "A1" microswitch	
H01	0.1 - 1.0 (1.45 - 14.50)	0.10 (1.45)	As per the class of flange Please consult Sales Office in case you need clarification on availability of maximum working pressure for a particular range.
H02	0.1 - 1.5 (1.45 - 21.76)	0.12 (1.74)	
H03	0.2 - 2.6 (2.90 - 37.71)	0.15 (2.17)	
H04	0.2 - 3.6 (2.90 - 52.21)	0.20 (2.90)	
H07	0.5 - 7.0 (7.25 - 101.50)	0.20 (2.90)	
H10	0.5 - 10.0 (7.25 - 145.04)	0.40 (5.80)	
H15	1.0 - 15.0 (14.50 - 217.56)	0.50 (7.25)	
H30	5.0 - 25.0 (72.51 - 362.56)	1 (14.50)	
H4T	5 - 40 (72.51 - 580.15)	5 (72.51)	
H1H	10 - 100 (145.04 - 1450.38)	12 (174.05)	
H2H	7 - 200 (101.53 - 2900.76)	24 (348.09)	

* Minimum differential increases with setpoint (Graphs available on request)

* Differentials of microswitches A2 through A9 will vary. Differentials for A7 are typically twice that for A1 microswitch.

Please indicate specifically the differential value in enquiry/order, when it is critical in your application.

Note : Ranges are quoted for rising set point unless specified otherwise.

All ranges can start from 0 bar to FSR for falling set point.

FLANGE CODE TABLE (Please contact sales office for more options)

	SS316L		Hastelloy C276		Monel		Titanium		Tantalum	
	RF*	FF*	RF*	FF*	RF*	FF*	RF*	FF*	RF*	FF*
150 #										
1" NB	AC	BS	DI	EY	GO	IE	JU	LK	NA	OQ
2" NB	AF	BV	DL	FB	GR	IH	JX	LN	ND	OT
300#										
1" NB	AI	BY	DO	FE	GU	IK	KA	LQ	NG	OW
2" NB	AL	CB	DR	FH	GX	IN	KD	LT	NJ	OZ
2500#										
1" NB	BM	DC	ES	GI	HY	JO	LE	MU	OK	QA
2" NB	BP	DF	EV	GL	IB	JR	LH	MX	ON	QD

*RF = Raised Face

*FF = Flat Face

RANGE AVAILABILITY AS PER BORE SIZES

	H01 to H04	H07	H10	H15	H30	H4T to H2H
1" NB	NA	Yes	Yes	Yes	Yes	Yes
2" NB	Yes	Yes	Yes	Yes	Yes	Yes

FLANGED PRESSURE SWITCHES



HOW TO ORDER FLAMEPROOF FLANGED PRESSURE SWITCHES

Group 1	Group 2	Group 3	Group 4	Group 5	Group 6	Group 7	Group 8
Non standard allocation	Model	Cable Entry Size	Switch Type	Range Code (values in bar)	Microswitch Type	Flange Size and Material	Diaphragm
<input type="checkbox"/> Reserved for non-standard options not covered in catalogue. Will be given by manufacturer, only after agreement of supply details with customer.	FE = IP66 Flameproof pressure switch, PESO approved	1 = Al. head 1/2" NPT threads 2 = Al. head 3/4" NPT threads 3 = Al. head M20 x 1.5 threads *4 = Grey Cl head 1/2" NPT threads *5 = Grey Cl head 3/4" NPT threads *6 = Grey Cl head M20 x 1.5 threads *7 = SS head 1/2" NPT threads *8 = SS head 3/4" NPT threads *9 = SS head M20 x 1.5 threads * Not available in FE models	A1 = ANSI Flanged pressure switch, fixed differential without scale A2 = ANSI Flanged pressure switch, fixed differential with scale in bar A3 = ANSI Flanged pressure switch, fixed differential with scale in psi	H01 = 0.1 - 1.0 H02 = 0.1 - 1.5 H03 = 0.2 - 2.6 H04 = 0.2 - 3.6 H07 = 0.5 - 7.0 H10 = 0.5 - 10.0 H15 = 1.0 - 15.0 H30 = 5.0 - 25.0 H4T = 5 - 40 H1H = 10 - 100 H2H = 7 - 200	A1 = General purpose microswitch rated at 15 A; 250 VAC *A2 = Hermetically sealed for corrosive environments *A3 = gold plated contacts for low voltage applications *A5 = for high DC ratings *A6 = elements with adjustable deadband *A7 = 2SPDT switching elements A8 = General purpose microswitch rated at 5 A, 250 VAC; 5 A, 28 VDC *A9 = General purpose microswitch rated at 5 A; 250 VAC Please refer Page No. 116 for Microswitch options * Please refer note under Range Selection Table	Please select as per Flange Code Table	0 = Neoprene 1 = PTFE 2 = SS316L 3 = Hastelloy C 4 = Monel 400 5 = Titanium 6 = Tantalum

eg. A flameproof switch for gas group IIC, with 1/2" NPT cable entry in aluminium housing with an ANSI flange, having 0.5 bar to 7 bar pressure range, with 15 Amp. microswitch, 1" NB 150# RF SS316L flange & SS316L diaphragm shall be specified by

Group 1	Group 2	Group 3	Group 4	Group 5	Group 6	Group 7	Group 8
<input type="checkbox"/>	FC	1	A1	H07	A1	AC	2

Please specify full model number to avoid ambiguity. If only the first two groups are specified while ordering, uncalibrated switches with standard wetted parts and enclosures will be supplied.